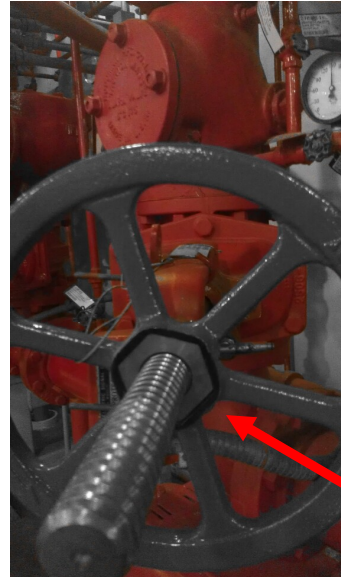




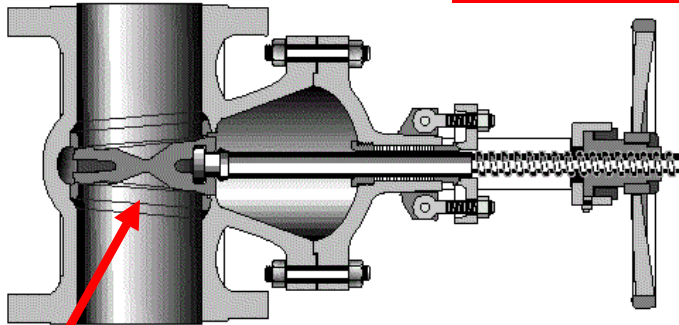
## OUTSIDE STEM AND YOKE VALVE (OS&Y)

The OS&Y Valve, the valve with the visible stem, is used on water based suppression systems. This valve is unique because the threaded valve stem protrudes from the valve body. When the valve is FULLY opened, almost the entire length of the stem is seen.

When the valve is closed, the stem is no longer visible. Some systems may include an alarm called a TAMPER SWITCH. The switch causes an alarm when the valve position is changed, depending on the needs. This alarm may go to a master alarm panel, an alarm call center or some other type of on site panel.



**STEM FULLY VISIBLE – OPEN VALVE AND FLOW AVAILABLE**



**STEM INSIDE VALVE BODY INDICATES GATE IS CLOSED STOPPING WATER FLOW**

Use other indications of available flow such as GAUGES. In WET PIPE SYSTEMS the gauge below and above the CLAPPER should read in close proximity, pressure wise.

